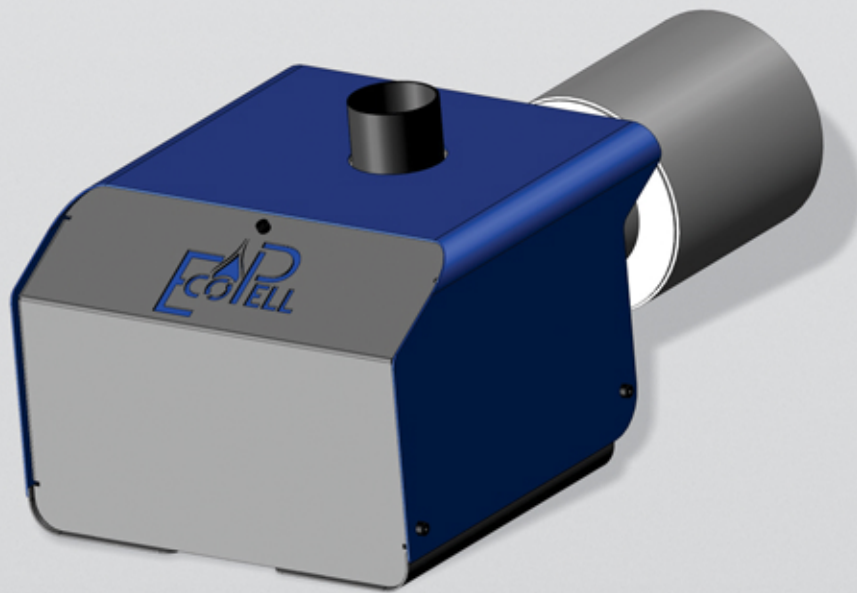


PELLET BURNER Eco - 35



We don't know if the winter will be long,
but we know it won't be cold, because EcoPell is here!

A completely automated
heating system!

The EcoPell pellet set
can be mounted on most
hard or liquid fuel furnaces.



Different operating
programs for all days
of the week!



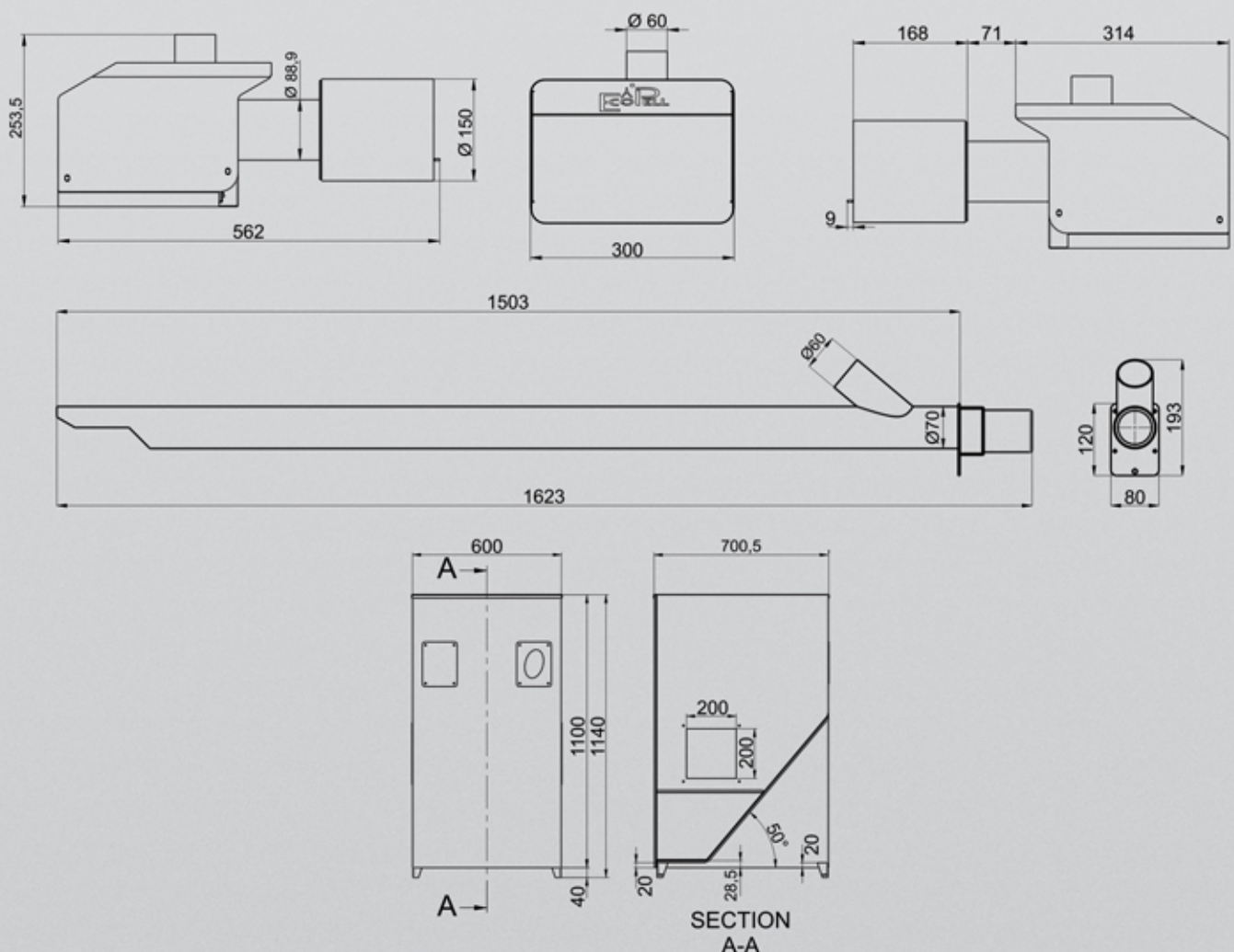
Technical characteristics EcoPell ECO-35

Fuel wood		pellets
Min heat input	KW	9
Max heat input	KW	33
Burner dimensions (LxWxH)	mm	300x562x253,5
Tank dimensions (LxWxH)	mm	600x700x1100
Auger dimensions (LxWxH)	mm	1623x80x193
Tank volume	L	310
CO (O ₂ =13%)	ppm	<580
Exhaust temperature	°C	120-220
Supply voltage	V	220-240
Max power	W	600
Average power	W	60
Operating temperature	°C	0-60
Burner mass	Kg	15
Auger mass	Kg	8
Tank mass	Kg	40

The EcoPell ECO-35 pellet burner can be mounted on most central heating individual systems using hard and liquid fuels. The quality and reliability of the installed components guarantee the long life of our products and therefore the warranty period for the burner ECO-35 is two years from the installation date.

The EcoPell ECO-35 set consists of the burner, control unit, exterior fuel feeder and hopper.

The burner contains an internal fuel feed system which doses the pellets into the combustion chamber. Such construction guarantees protection from backfire and the internal fuel feeder doses pellets with more precision into the combustion chamber.



Technical drawing